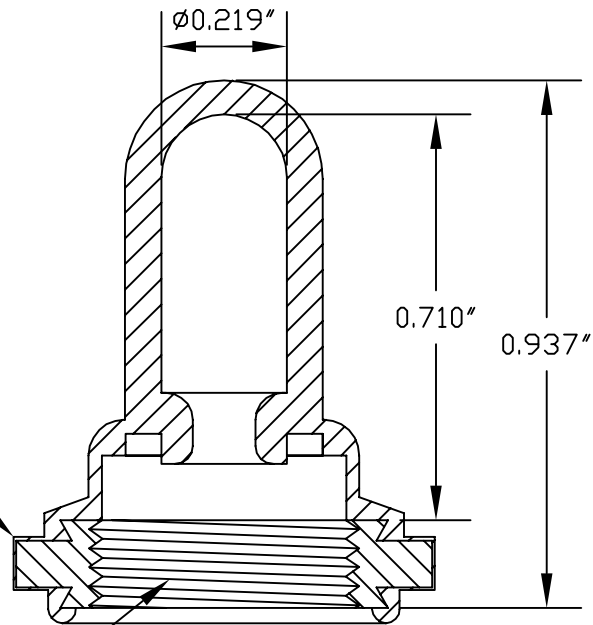
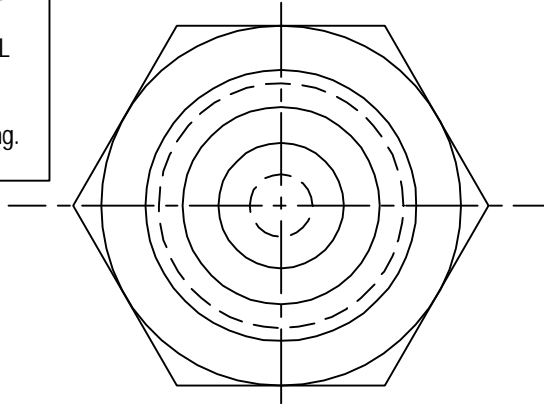


SPECIFICATIONS

Material: E-SEELS:Silicone rubber polymer type ASTM D1418
Mounting Nut: E-SEELS: Brass, black-oxide
Temperature Range: E-SEELS: -80°F to +400°F
Pressure Range: Exceeds 15 psi internal and 1500 psi external.
Operational Life: 50,000 actuations (minimum).
Shelf Life: Excess of 25 years.
Resistant to: Salt spray, sunlight, ozone, weather, fungus and most acids and lubricating oils
Agency Recognition: E-SEELS and HEXSEALS are UL-listed to UL Std. 50 types 1-13, and meet CSA standards.
Installation: If a reducing adaptor is required- see page 14 of HEXSEAL catalog HEX200 for part numbers and drawing.



PERMISSIBLE RUBBER
OVERLAY 0.005 MAX.

15/32-32NS-2B

B	CAD COMPUTER GENERATED	09.19.02
A	MODIFIED	11.16.74
REV.	DESCRIPTION	DATE
	BOOT, TOGGLE, TOTALLY ENCLOSING (C1131/27)	
	ENG. DWN. S. ANDREWS	12.09.59
	CHKD. J. CELLA	07.08.09
	SCALE 3 : 1	DWG. NO. C1131/27
MAXIMUM AND MINIMUM MEASUREMENTS ARE STATED DIRECTLY ON EACH DIMENSION. MAT'L: SILICONE RUBBER PER ASTM D 1418 FINISH: BLACK		TITLE: APM-HEXSEAL CORPORATION

THIS DRAWING COVERS PROPRIETARY ITEM AND IS THE PROPERTY OF THE APM-HEXSEAL CORPORATION.
 THIS DRAWING IS NOT TO BE COPIED OR USED WITHOUT THE WRITTEN APPROVAL OF AN OFFICER OF THE APM-HEXSEAL CORPORATION.